

CONVERSION KIT



# B|Active 84+

for Volkswagen Caddy



- ◆ **multifunctional wheelchair accessible vehicle**
- ◆ **1 wheelchair user / up to 5 passengers**
- ◆ **Built-in quickly WAV-kit**



**B|STYLE**

MOBILITY SOLUTIONS





### Built-in quickly WAV-kit

In series production, the Volkswagen Caddy is converted into a wheelchair accessible vehicle with the B-Active kit in 18 hours – exceptionally little time. There is no welding involved. Everything needed to perform the conversion is included, such as a new fuel tank, the wheelchair ramp, belts and all the necessary fasteners.



### Convenient features

There are many features designed for maximum user-friendliness, like the belts that can be attached to the wheelchair while it is still outside the Caddy Maxi. An integrated safety feature prevents the wheelchair passenger from rolling backwards on the wheelchair ramp; only upward movement is possible. Super convenient!



### Seating configuration

The original split rear bench seat remains, making the Caddy very flexible in use. In order to provide sufficient legroom for the wheelchair passenger, the wider section of the bench is folded down. There is still room for one passenger on the back seat as well as the two seated in front. If there is no wheelchair passenger, all the original seats can be used, for a total of five.



### B-Active Caddy 84+

The number '84' refers to the width of the wheelchair space. The Volkswagen Caddy B-Active 84+ can be used for professional use, such as taxi transport, of private.



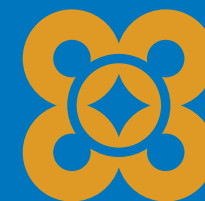
### Personalization Caddy wheelchair car

You can opt for high-quality vinyl on the floor. The sides of can be fitted with an aluminium strip or ABS plastic cut to size. A LED strip is available that automatically lights up. Operation of the wheelchair ramp can be made easier with a gas spring, which can be optional be folded inwards in its entirety, so it can lie horizontally to provide extra luggage space.



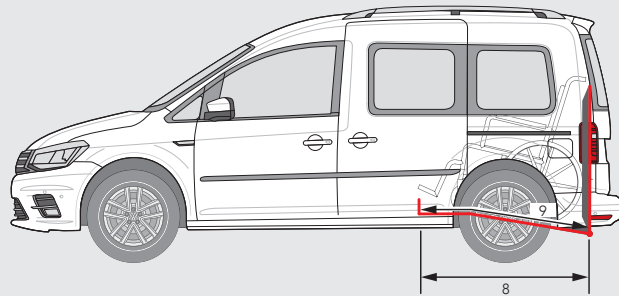
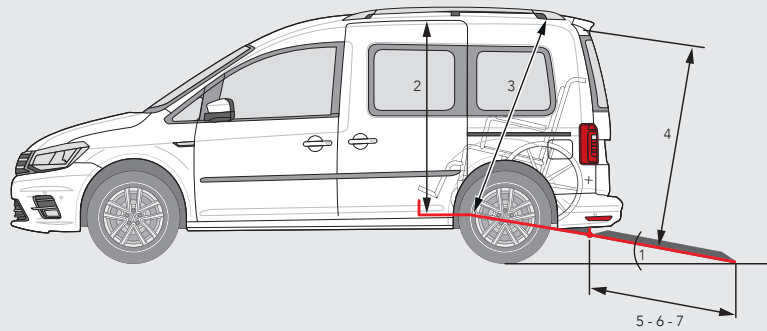
### Inventor of the wheelchair car

With decades in the industry (since 1973), B-style knows exactly what is needed for a wheelchair accessible vehicle. We have thought of everything, such as a comfortable sitting position for the wheelchair passenger, easy entry, safe 5-point belt attachment that meets the strict European requirements, simple, light operation and a beautiful finish.

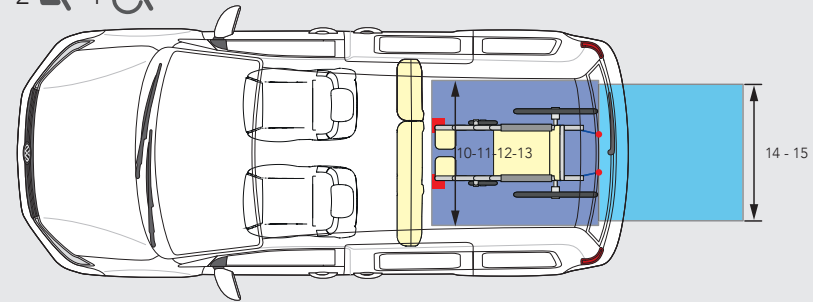


**B|STYLE**

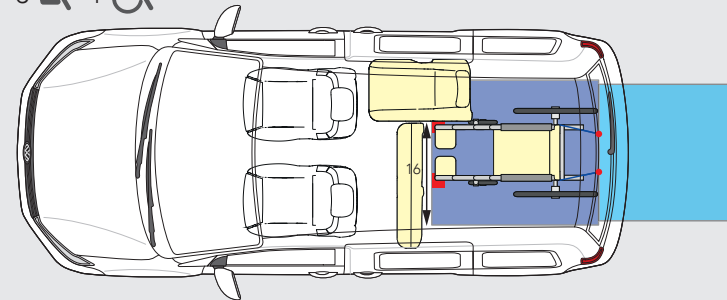
CREATE A BIGGER WORLD



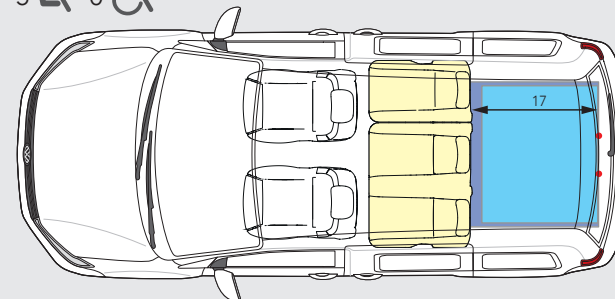
2 1



3 1



5 0



Nr.	Description	Sizes (+/- cm)
01	Slope of ramp	11°
02	Interior height	140
03	Interior height (headroom) wheelchair passenger	145
04	Entry height	142
05	Length wheelchair ramp, ramp – single – straight	120
06	Length wheelchair ramp, ramp – double – folding tip	112
07	Length wheelchair ramp, ramp – double – taxi	120
08	Length lowered floor	137
09	Length lowered floor - horizontal	133
10	Width lowered floor, steel - steel	84
11	Width lowered floor, with basic or vinyl interior	83
12	Width lowered floor, with luxurious interior	82
13	Width lowered floor, with LED lighting left or right	81
14	Width wheelchair ramp, ramp – single – straight	80
15	Width wheelchair ramp, ramp – double – folding tip	80
16	Width wheelchair ramp, ramp – double – taxi	76

## Configuration options

The B-style WAV kit provides lots of interior space for all passengers.



**B|STYLE**

CREATE A BIGGER WORLD



**Original tank**



**Built-in-quickly (18 h)**



**No welding required**



**Step-by-step installation manual**



**Original seats on second row**



**Premium Partner Volkswagen  
Nutzfahrzeuge**



**Aluminum ramp, endurance test  
30.000 x 300 kg**



**2 kind of wheelchair ramps**



**- Whole Vehicle Type Approval  
- Certificate of Conformity + LONO**



**B-style**

+31 418 638200  
info@b-style.eu

Take a look at our  
other products at  
b-style.eu



**B|STYLE**

CREATE A BIGGER WORLD